



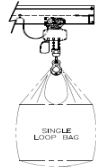
A.M. KING
INDUSTRIES, INC

SPECIAL OFFER

**NEVER USED EMULSION PLANT
WITH MMU DELIVERY TRUCKS**

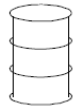
NEVER USED EMULSION PLANT AVAILABLE NOW

INCLUDES: PRIMARY EQUIPMENT • SUPPORT EQUIPMENT • MMU DELIVERY TRUCKS



NH₄NO₃ Big Bag Conditioning and Handling

Ammonium Nitrate big bag hydraulic conditioning and breaking equipment, loading hoists, boom assemblies, matching hoppers with clod and lump busters, flexible screw conveyors and more.



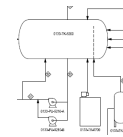
Oil and Gassing Material Preparation

Oil Phase Preparation Skid includes tank, mixer, various pumps, piping etc. for mixing of emulsifier and diesel. Sodium Nitrate Preparation Skid includes tank, pumps, piping, etc. to prepare gassing agent.



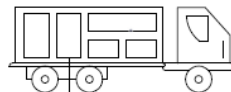
Aqueous Phase Preparation

HMT, Ammonium Hydroxide and Nitric Dosing Skids including dosing pumps. Two Ammonium Nitrate Dissolution Tanks supplied with agitators.



Support Equipment Systems

Support equipment includes: 50 m³ diesel fuel storage tank and distribution system, a robust steam boiler system, a highly-engineered air compressor system all designed and sized for the efficient and safe operation of this emulsion plant.

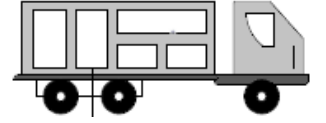


Mobile Manufacturing Units

Two (2) Mobile Manufacturing Emulsion Units manufactured by Tranmanut and supplied by Titanobel.

AM King Industries Inc.
2875 Feather River Blvd.
Oroville, CA 95965
Tel: +1 530-534-7965
www.amking.com

TWO (2) MOBILE MANUFACTURING TRUCKS (MMUs) TRANSMANUT • TITANOBEL • RENAULT

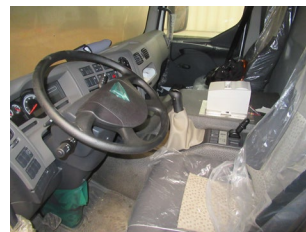


General Description

- Two (2) Mobile Manufacturing Units (MMU Trucks)
- Emulsion manufacturing equipment built by Transmanut and supplied by Titanobel
- Mounted on two (2) Renault Kerax 400.34 HD EX III Chassis.
- Originally intended to produce COLOGEL® emulsion, these MMUs are capable of producing multiple types of emulsions
- 80 kgs / min production

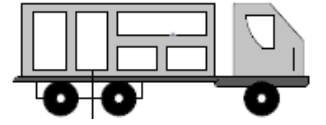
OPTIONAL SETUP

- Dismount the emulsion manufacturing units from the 2 Renault chassis
- **Skid-mount the manufacturing units** and continuously manufacture emulsion materials for loading into traditional SMS trucks for delivery to the site.
(PRODUCTION: 200 tons per day+)



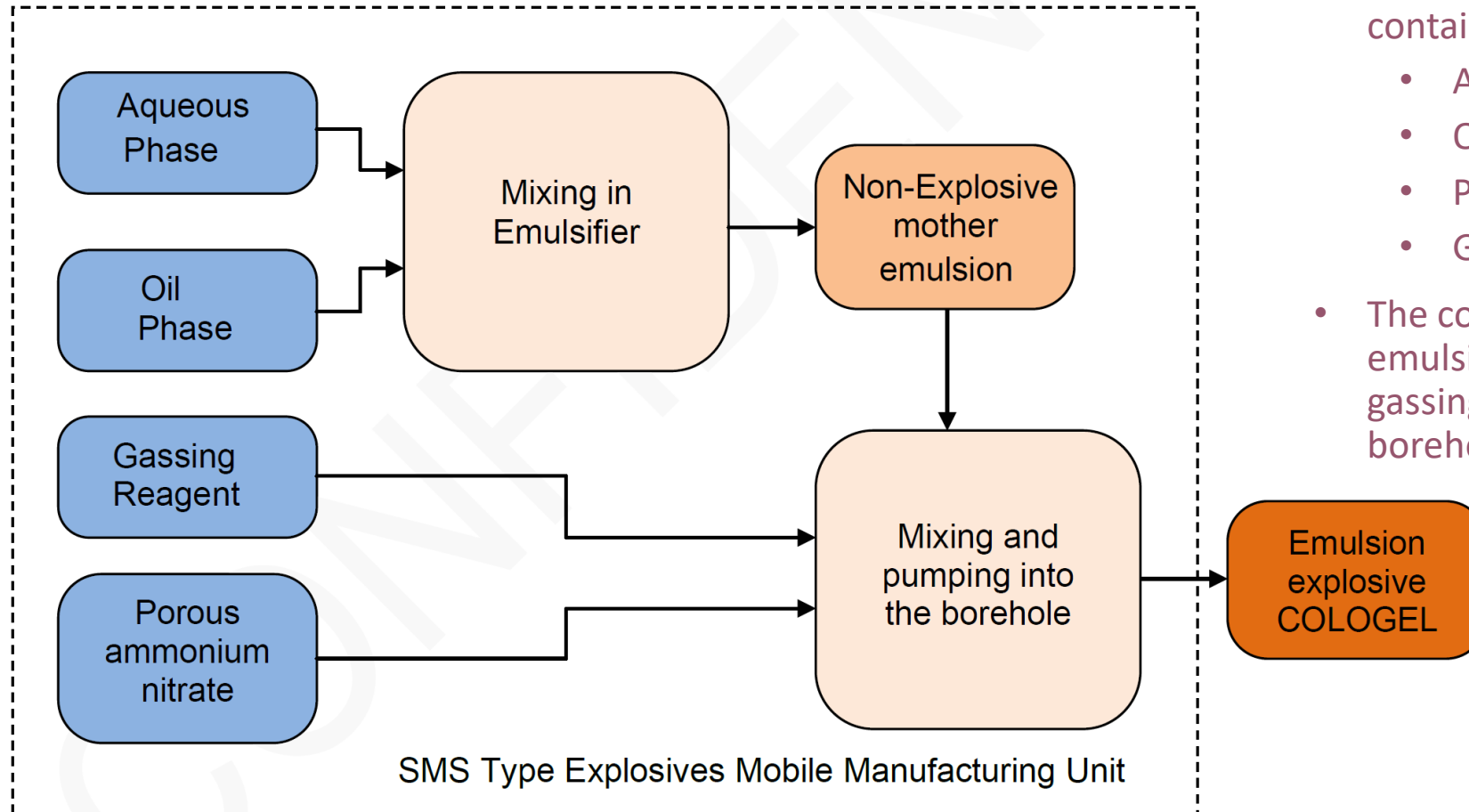
TWO (2) MOBILE MANUFACTURING TRUCKS (MMUs)

Manufactured by Transmanut (Titanobel)



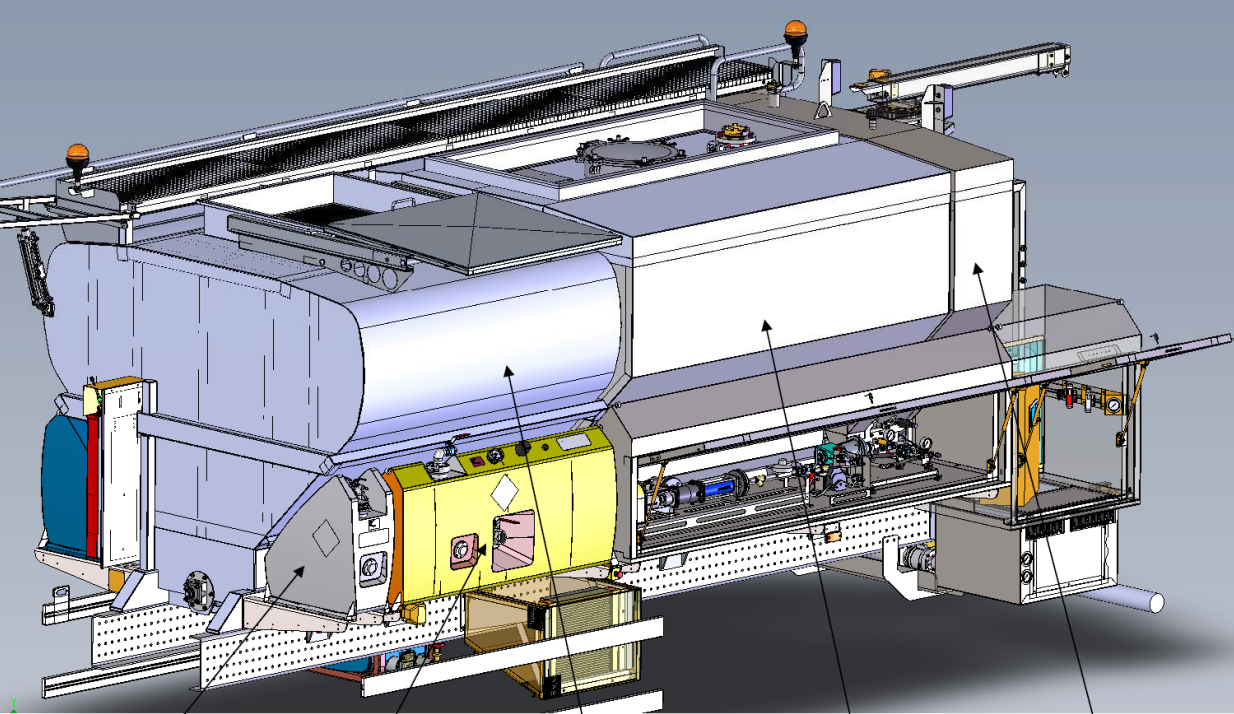
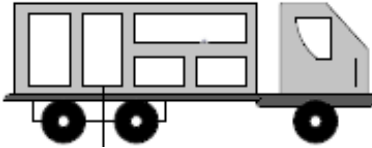
Function

- This equipment performs “at-site” emulsion blending from compartmentalized tanks containing:
 - Aqueous Phase Materials
 - Oil Phase Materials
 - Porous Ammonium Nitrate
 - Gassing Agents
- The components are blended to create the emulsion and are “sensitized” with the gassing agent as they are pumped into the borehole.



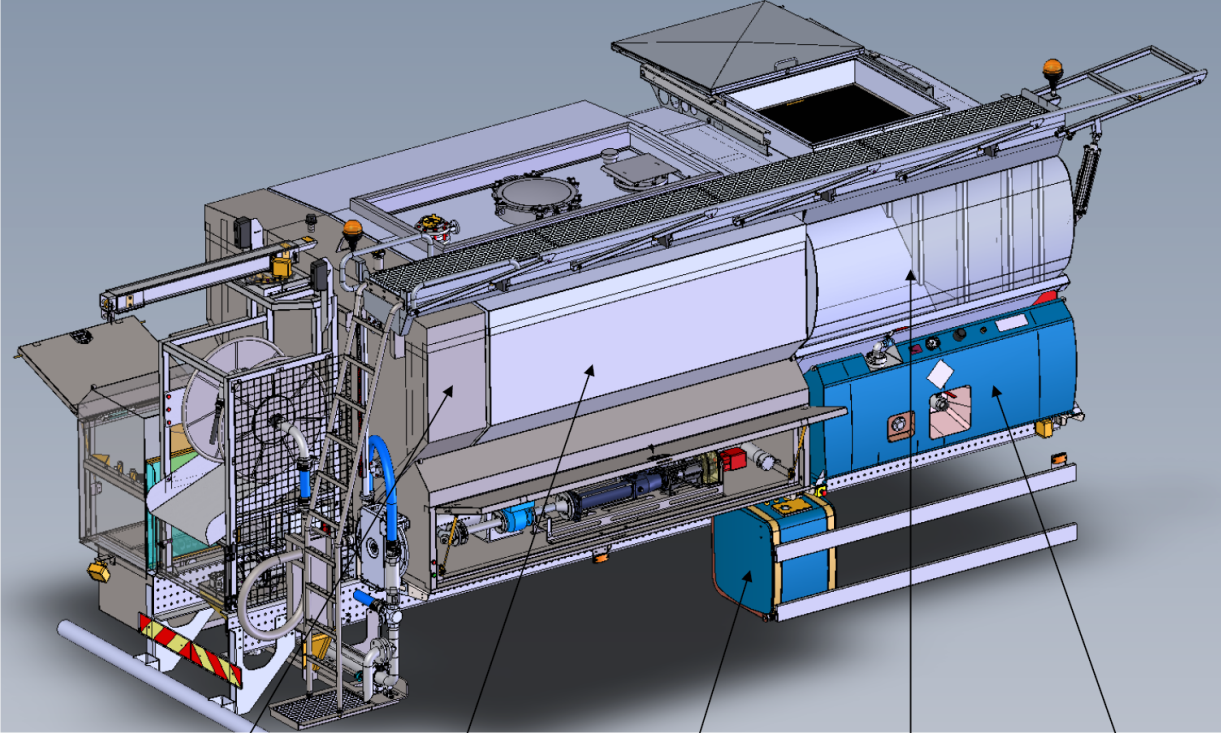
TWO (2) MOBILE MANUFACTURING TRUCKS

Drawings



- 0133-TK-8140 IBC
100 litres
Gassification Agent
- 0133-TK-8121
GRV 500 litres
Oil Phase
- 0133-BN-8130
Hopper 6300 liters
Ammonium Nitrate
- 0133-TK-8110
6200 liter tank
Aqueous Phase
- 0133-TK-8160
900 liter water tank

VIEW FROM SIDE 1

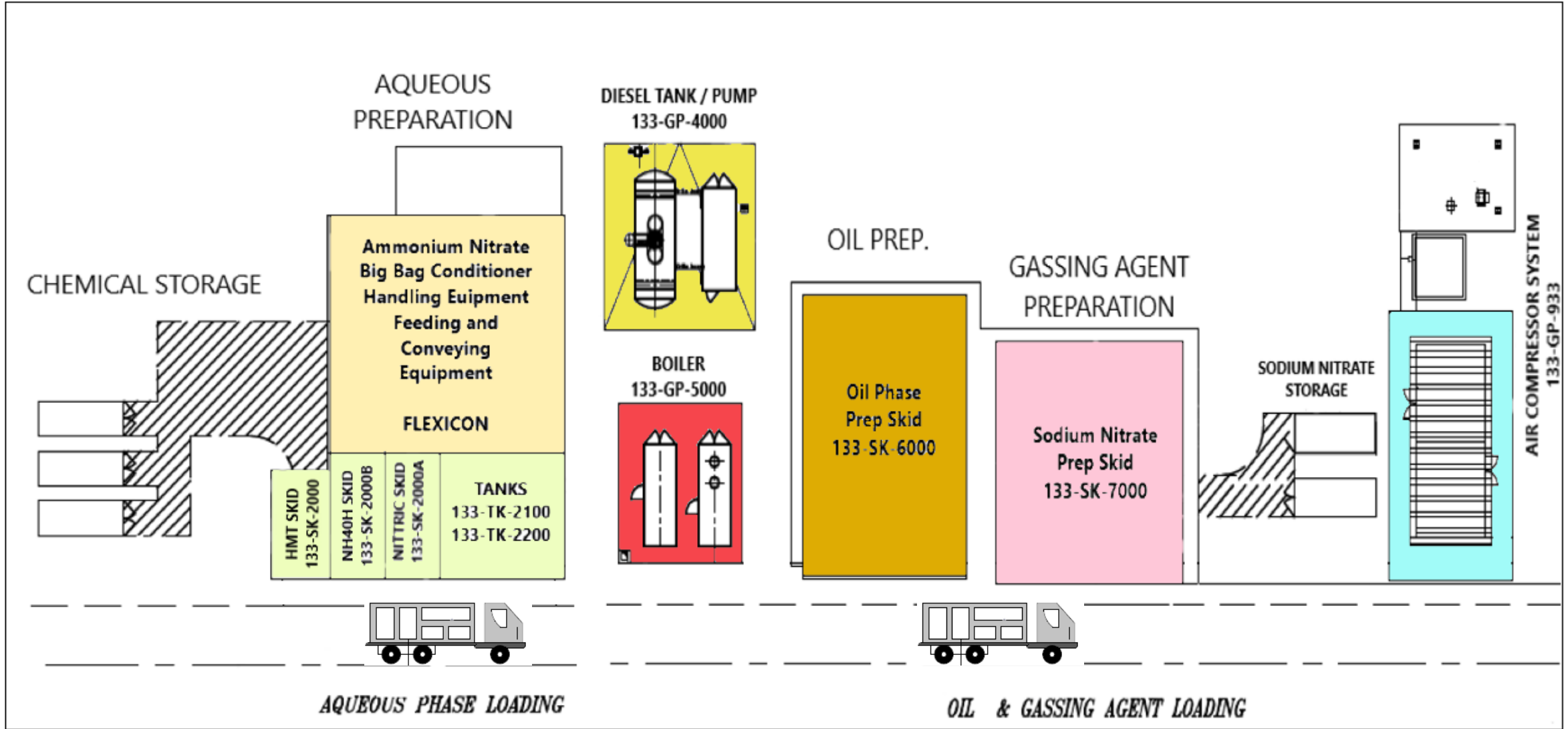


- 0133-TK-8160
900 Liter Water Tank
- 0133-TK-8110
6200 liter tank
Aqueous Phase
- 0133-TK-8180
200 liter tank
Hydraulic Oil
- 0133-BN-8130
6300 liter hopper
Ammonium Nitrate
- 0133-TK-8120
GRV 600 liters
Oil Phase

VIEW FROM SIDE 2

NOTE: The illustrations above are screenshots from original owner's drawings.

NEVER USED EMULSION PLANT SCHEME



NOTE: This layout is for reference purposes only. The **various colored boxes** indicate equipment and systems that are included with the sale of this plant.

LARGE BAG CONDITIONING

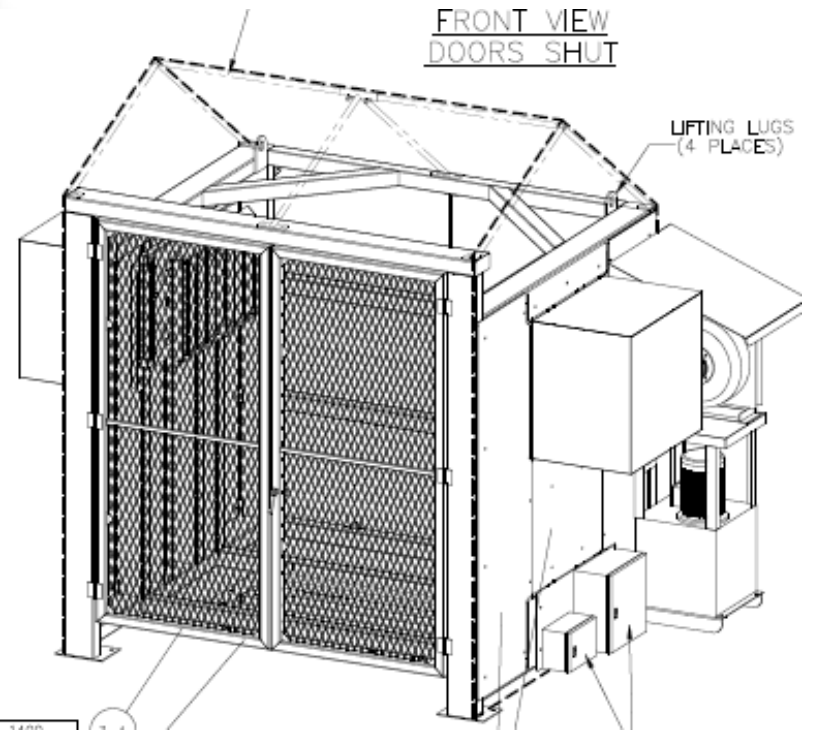
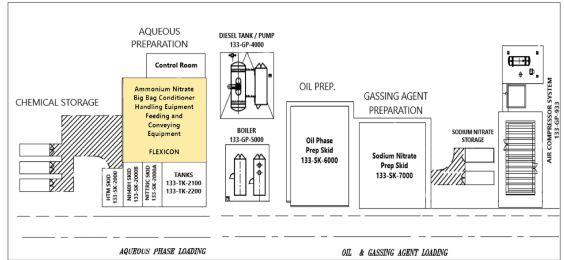
Manufactured by FLEXICON

Function

Crush and loosen solidified bulk bags of ammonium nitrate with powered hydraulic squeeze plates on an adjustable height, rotating table

Major Components

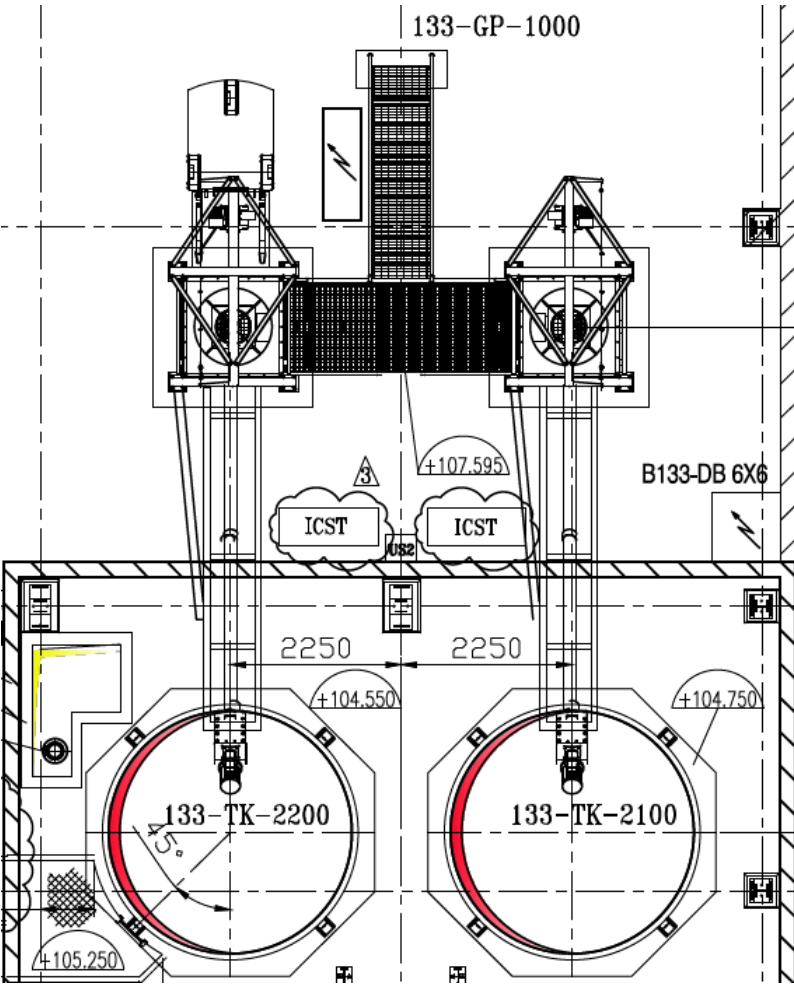
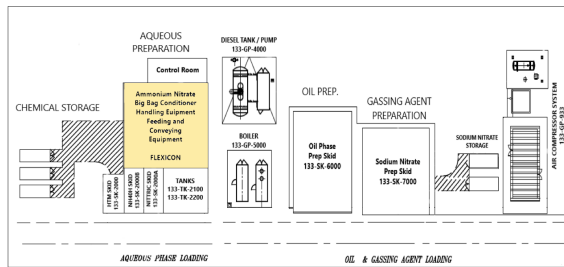
- Local Control Panel
- Hydraulic Flexicon Block-Buster Conditioner
- Powered adjustable lift, turn table.



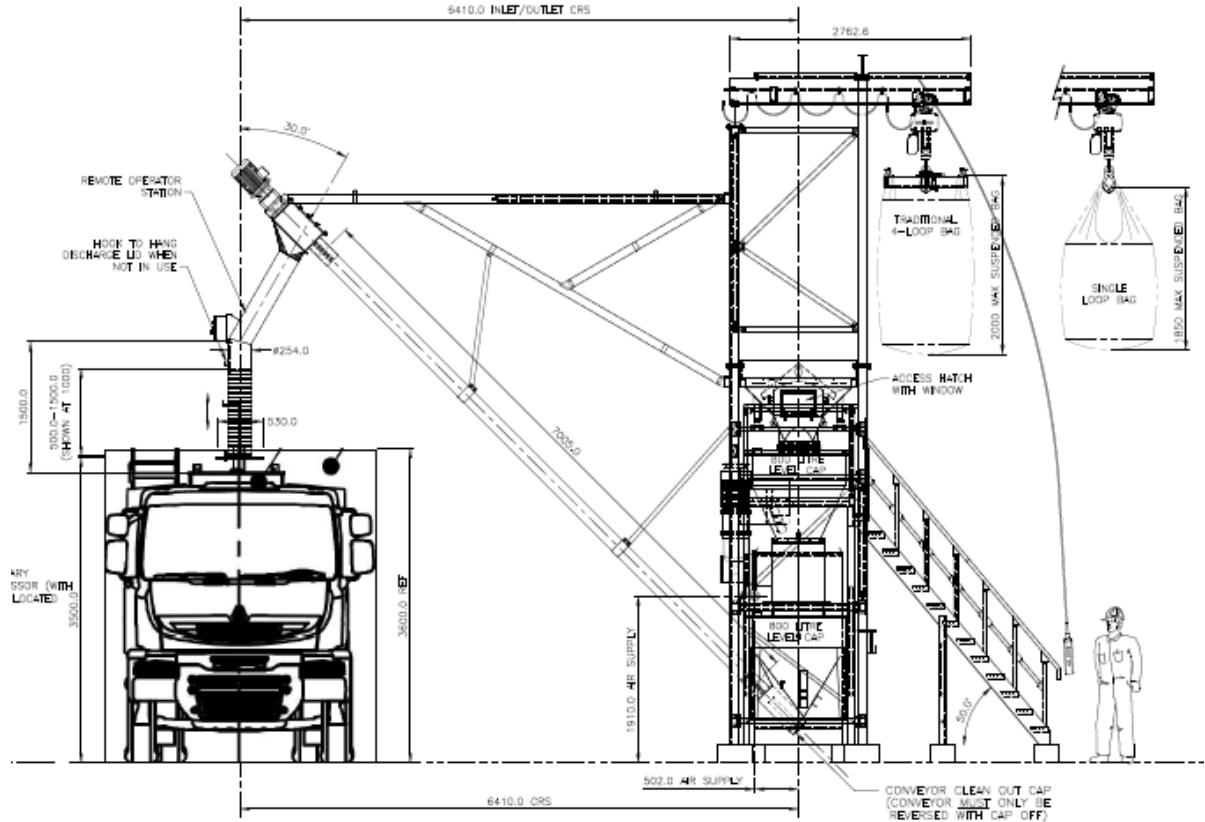
NOTE: The picture above may not be exact but is representative of the equipment being offered herein. The drawing (bottom right) is taken directly from original owner's drawings.

DISCHARGING, CLOD BREAKING, CONVEYING EQUIP.

Manufactured by FLEXICON



2 Flexicon Systems feed the 2 Dense Nitrate Tanks (Plan View)



1 Flexicon System feed the MMU Titanobel-Transmanut Trucks (Section View)

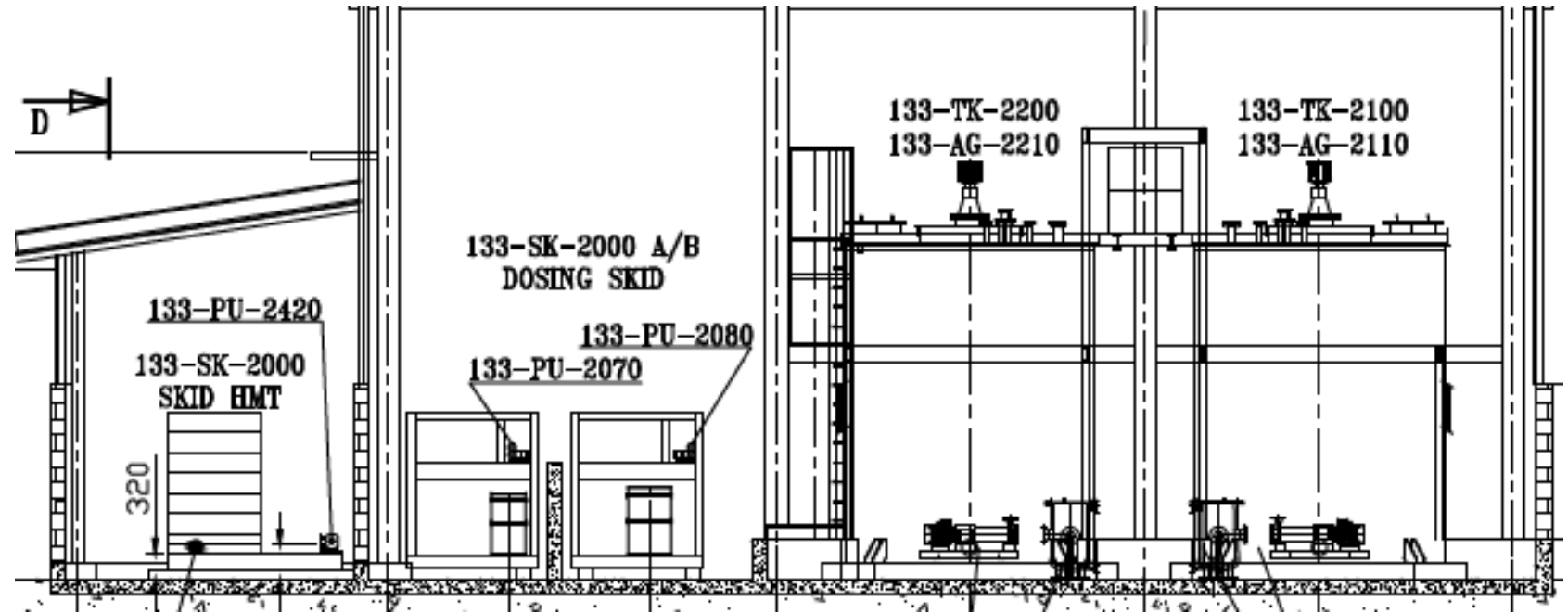
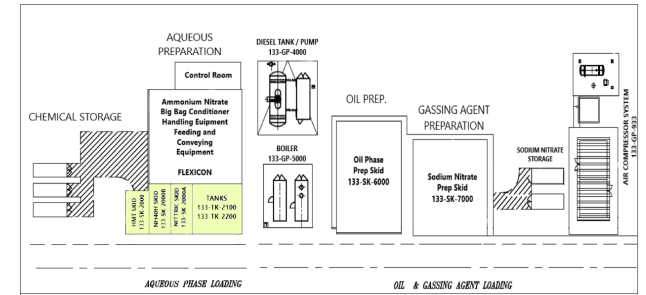
NOTE: The drawings above are screenshots from the original owner's drawings.

AQUEOUS PHASE PREPARATION

Manufactured by BOCCARD

Function

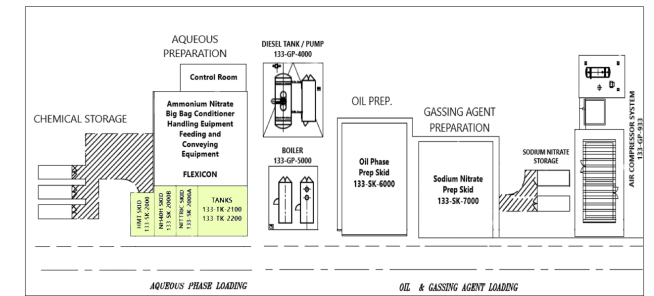
- **Two (2) Ammonium Nitrate Dissolution Tanks** – Blends the NH_4NO_3 with other chemicals (133-TK-2100 and 220) The system is compatible for use with other emulsion recipes.
- **HMT Prep Skid** – Injects Hexamethylenetetramine into the ANS dissolution tanks – 133-SK-2000
- **Ammonium Hydroxide Dosing System** – Raises pH in ANS dissolution tanks – 133-SK-2000B
- **Nitric Acid Dosing System** – Lowers pH in ANS dissolution tanks – 133-SK-2000B



NOTE: The drawing above is a screenshot from original owner's drawings.

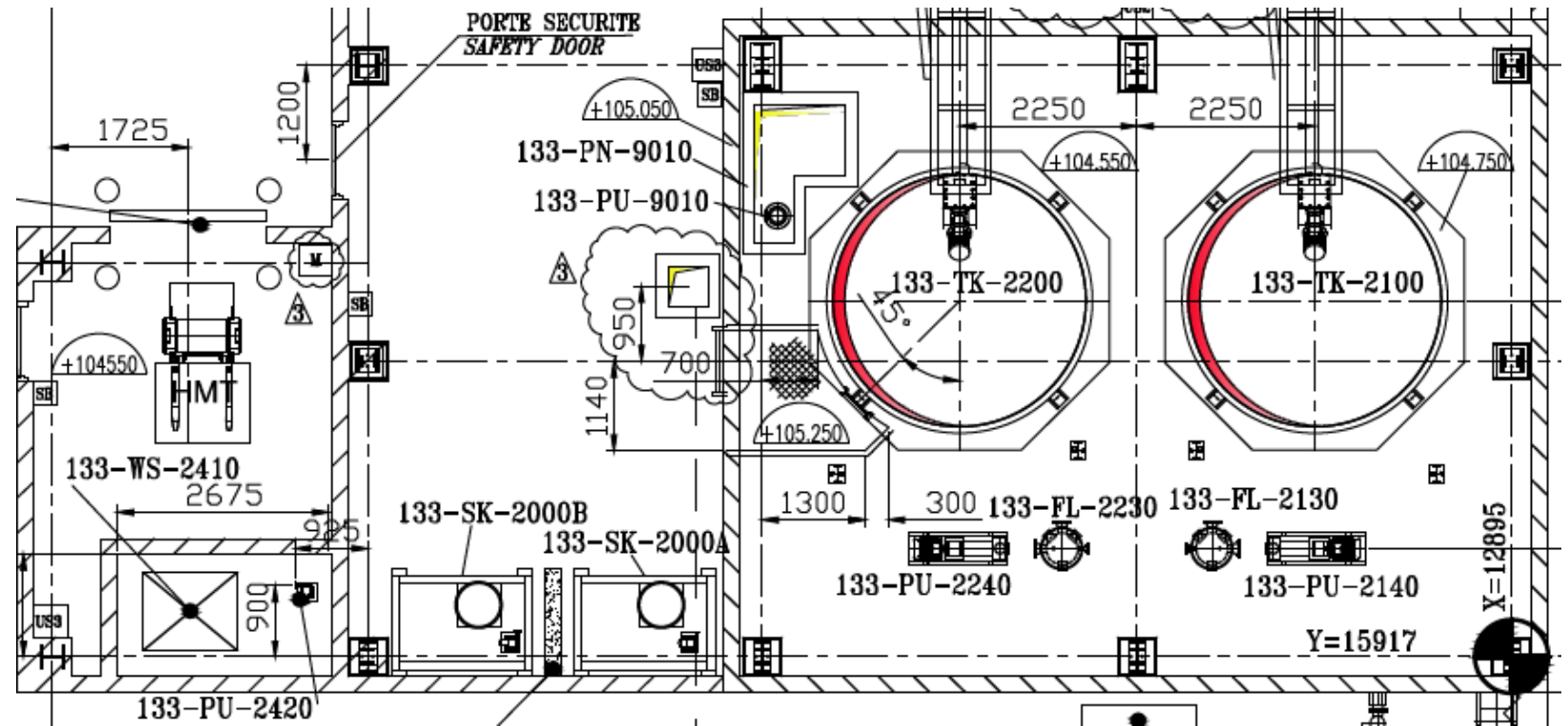
AQUEOUS PHASE PREPARATION

Manufactured by BOCCARD



Major Components

- **Two (2) Ammonium Nitrate Dissolution Tanks (133-TK-2100 and 2200)**
 - Working capacity per tank is 26 m³
 - Fed by Flexicon screw conveyors
 - Dosed by three (3) chemical dosing systems (133-SK-2000 / 2000A / 2000B)
- **Agitators (Manufactured by Mersen) 133-AG-2210 and 2110**
- **Weight Scale – 133-PU-2420**
- **Dosing pumps – 133-PU-2420, 2070 and 2080**
- **Piping, etc.**

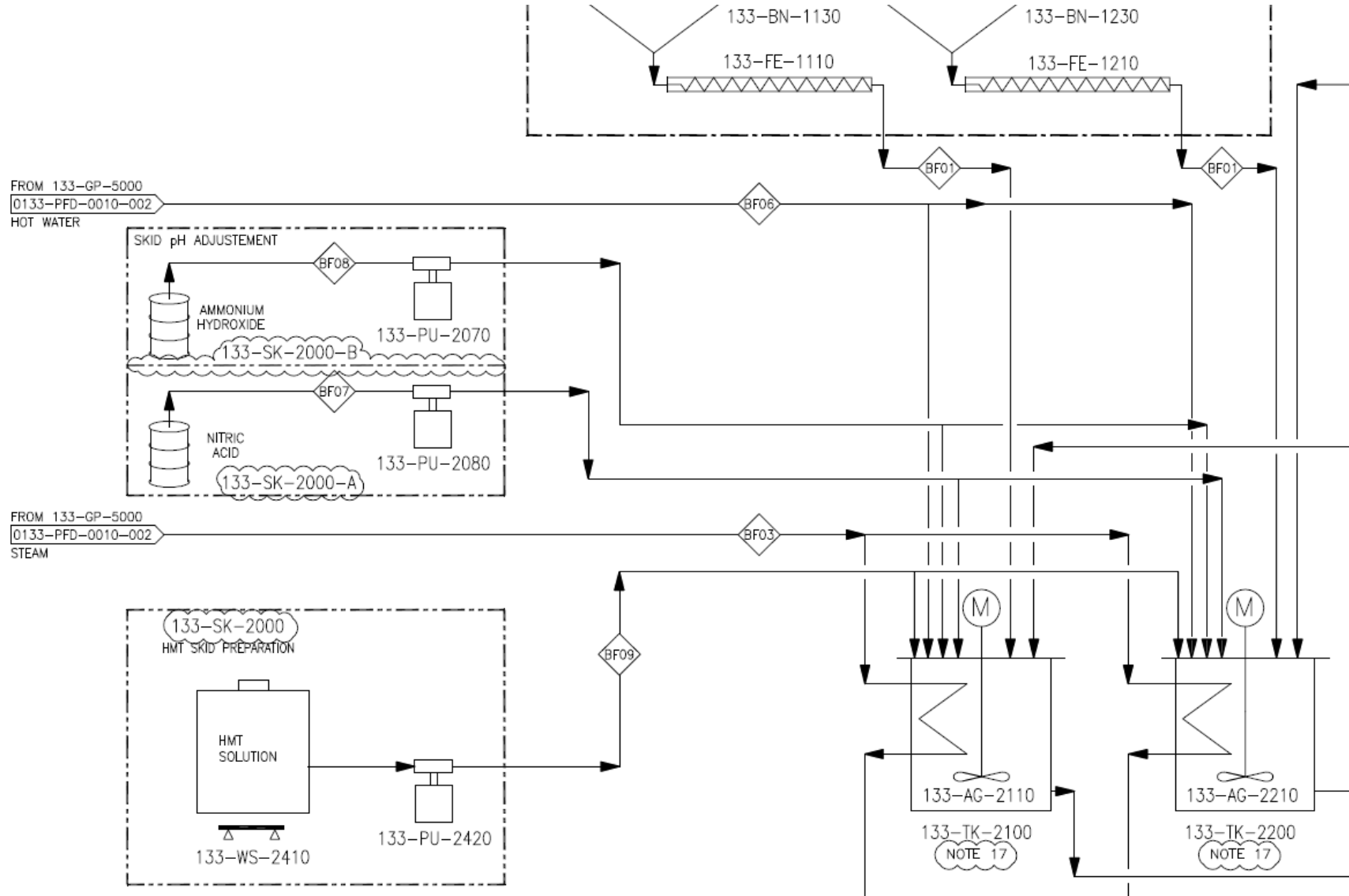
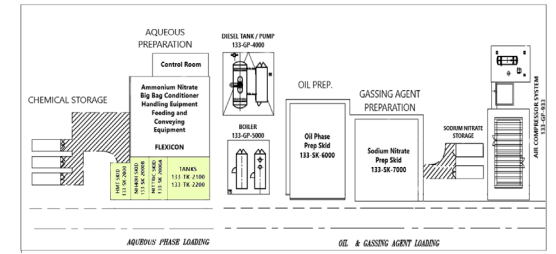


NOTE: The drawing above is a screenshot from original owner's drawings.

AQUEOUS PHASE PREPARATION

Manufactured by BOCCARD

NOTE: The drawing below is a screenshot from original owner's drawings.



Process Flow Design Screenshot

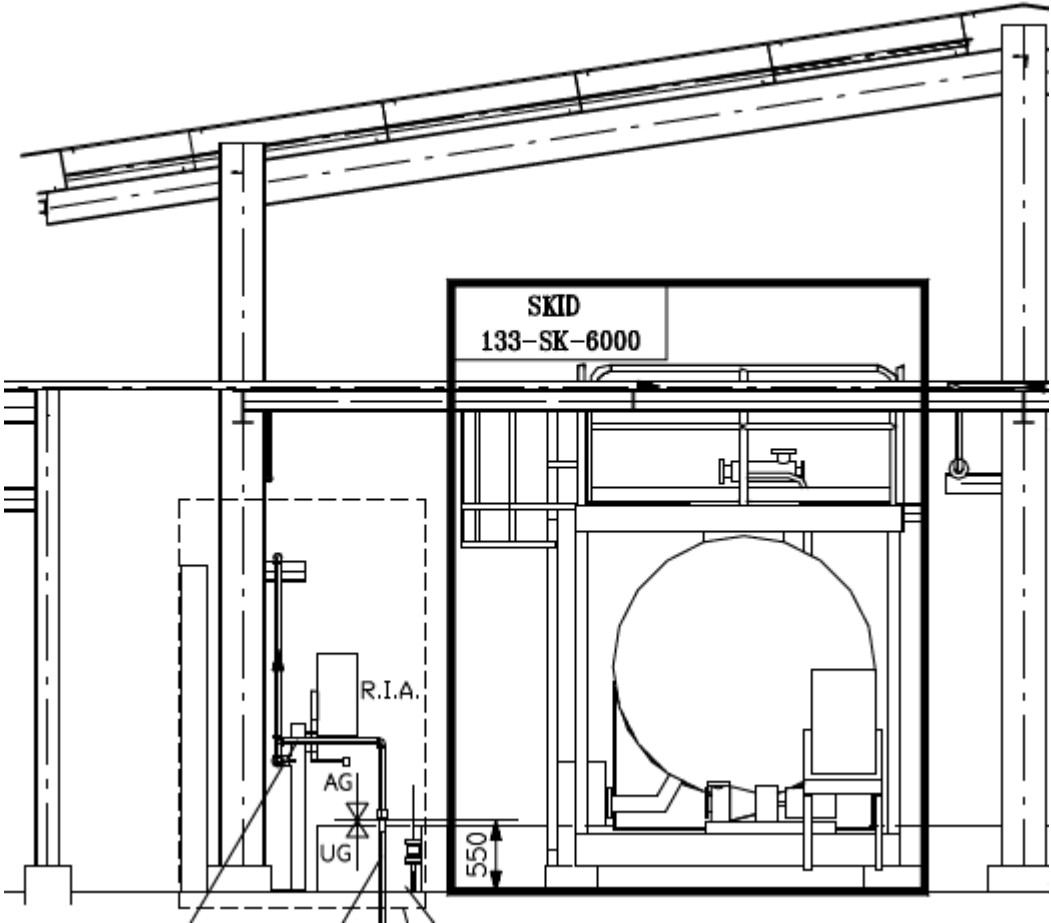
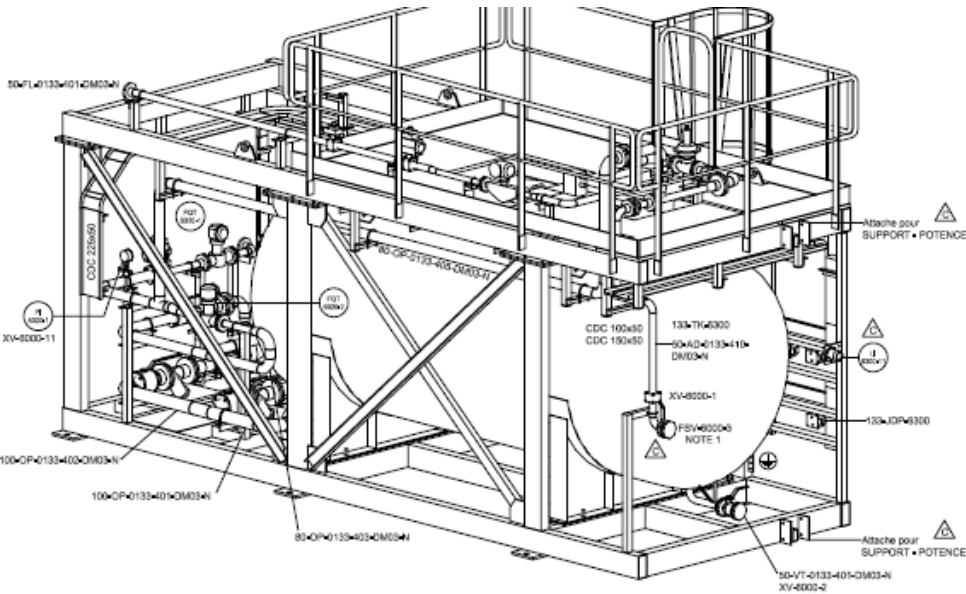
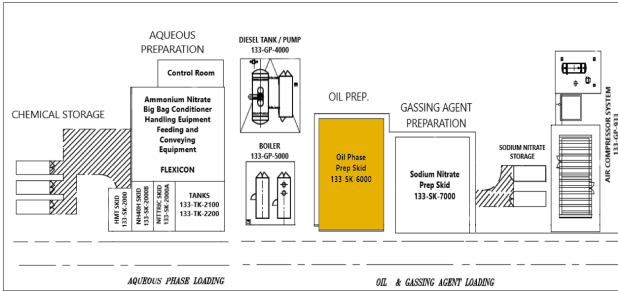
- Flexicon Bins 133-BN-1130 / 1230 Feed Flexicon Screw Conveyors 133-FE-1110 / 1210
- Two (2) Dissolution Tanks –133-TK-2100 and 2200 are fed by Flexicon CONVEYORS and dosed by:
 - HMT Prep Skid - 133-SK-2000
 - Ammonium Hydroxide Dosing System –133-SK-2000B
 - Nitric Acid Dosing System – 133-SK-2000A
 - And mixed with Mersen agitators 133-AG-2110 and 2210

OIL PHASE PREPARATION

Manufactured by BOCCARD

Function

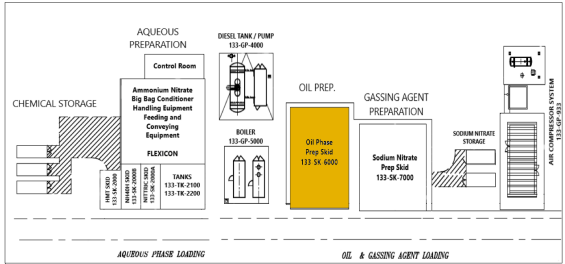
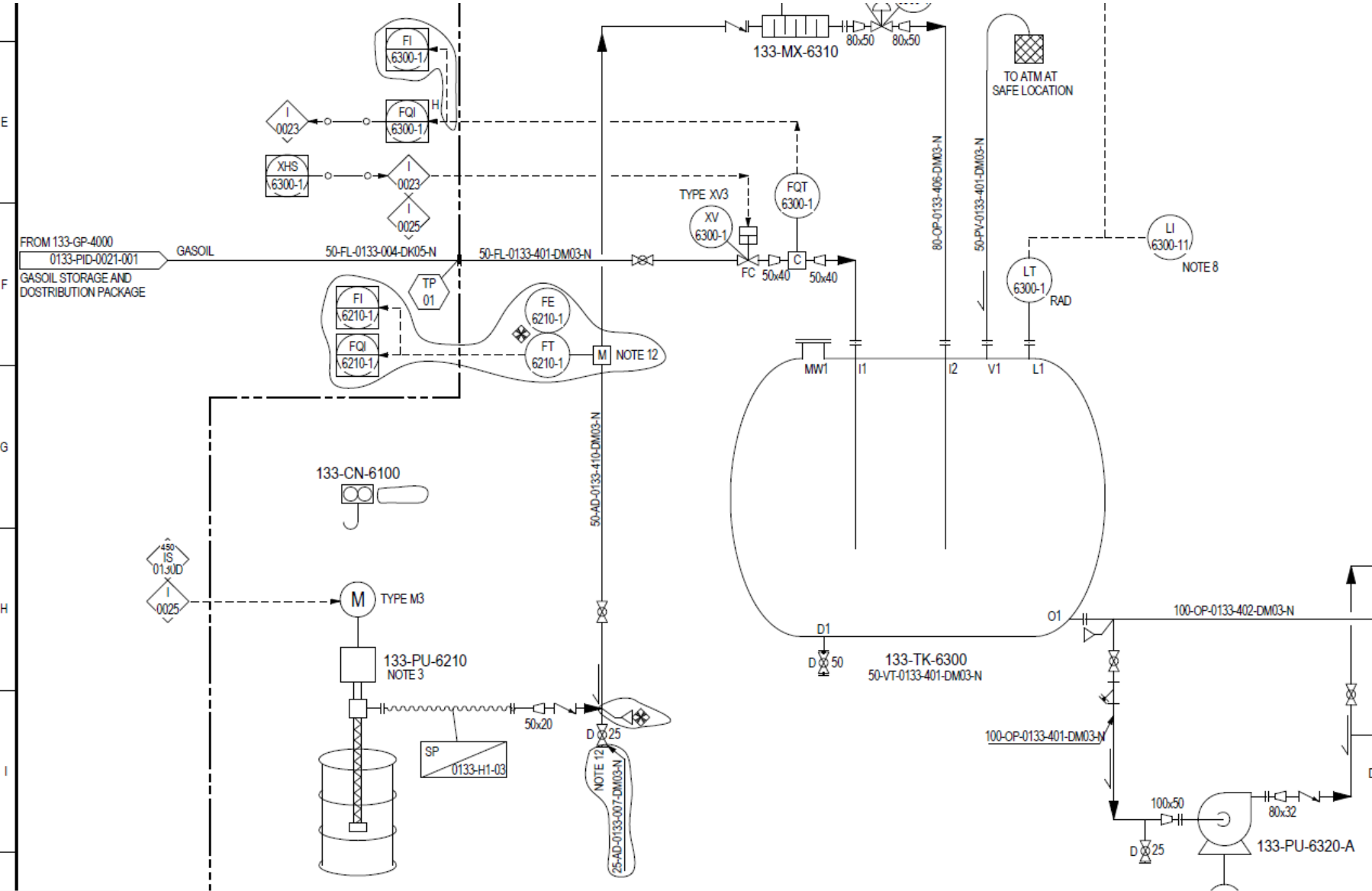
Oil Phase Preparation Skid
 Blends the emulsifier with diesel and pumps it into the Titanobel MMU trucks. (Skid tag number 133-SK-6000)



NOTE: The drawings above are screenshots from the original owner's drawings.

OIL PHASE PREPARATION

Manufactured by BOCCARD



Major Components

- 10 m3 Prep Tank 133-TK-6300
- Emulsifier Pump 133-PU-6210
- Hoist for Emulsifier Pump 133-CN-6100
- Static Mixer 133-MX-6310
- Oil Phase Pumps 133-PU-6320A/B
- Piping, nozzles, hoses and more

NOTE: The drawing to the left is a screenshot from original owner's drawings.

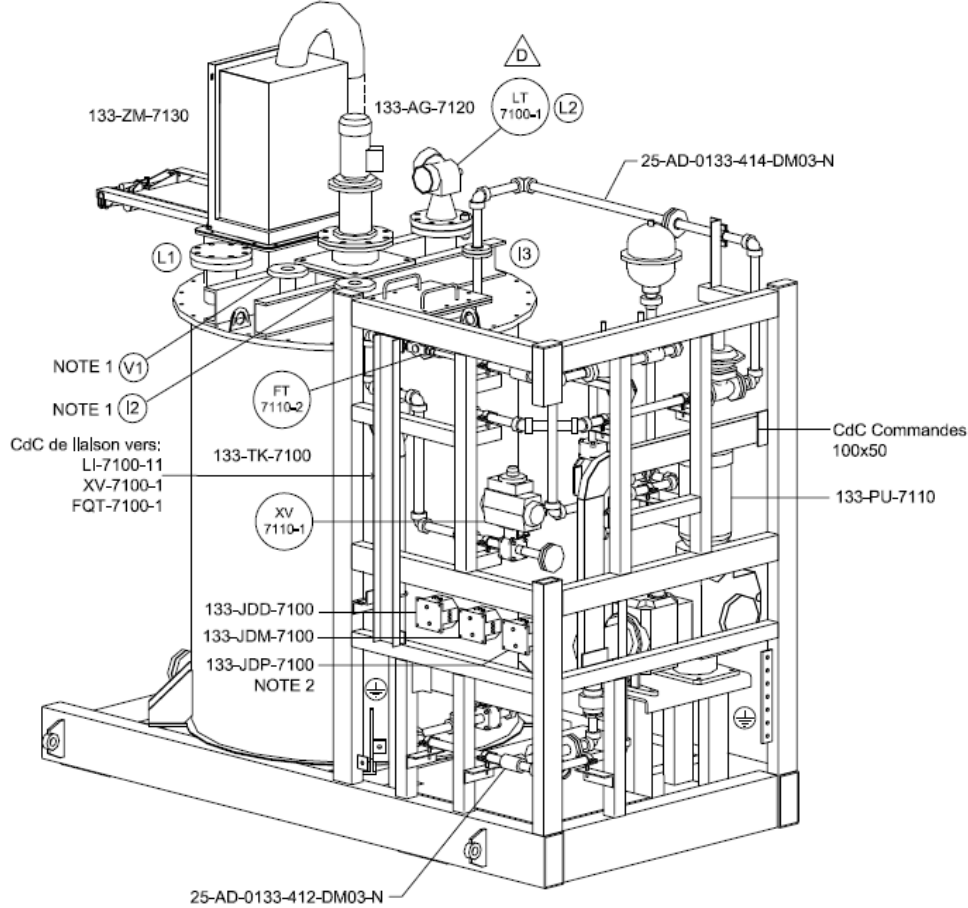
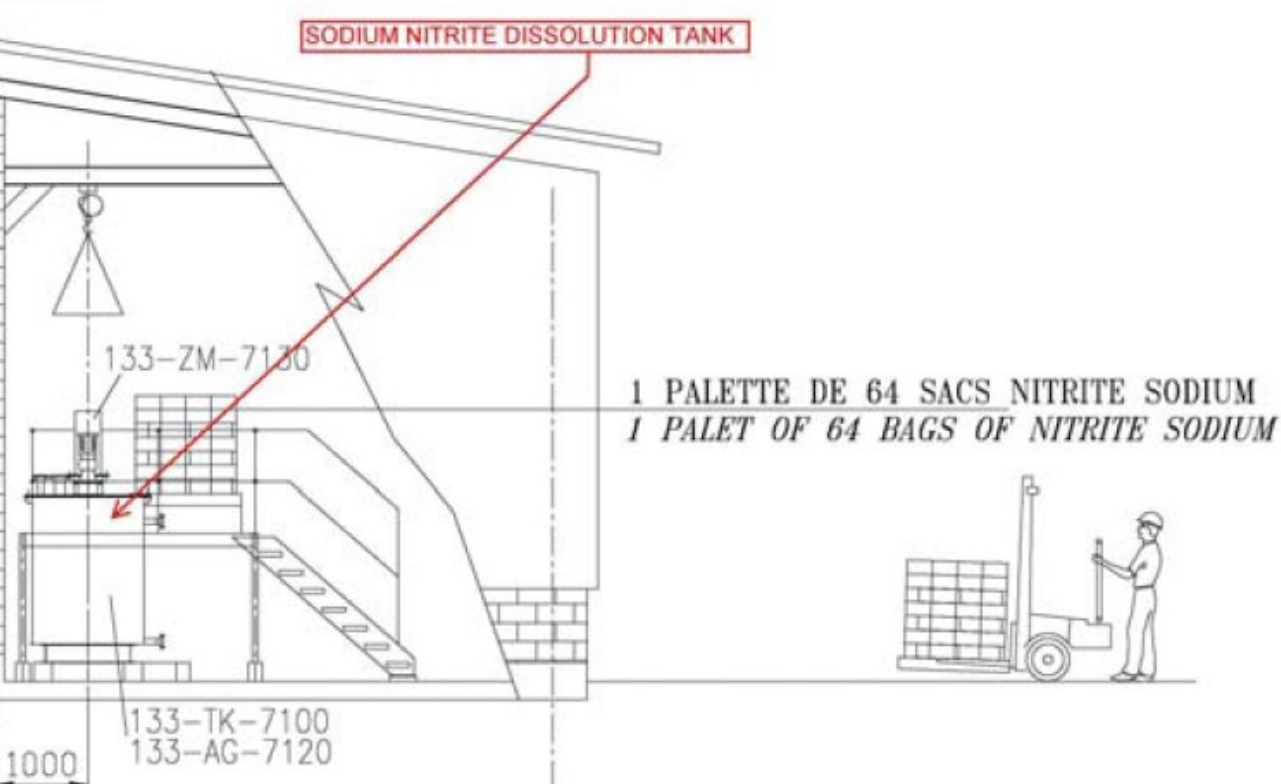
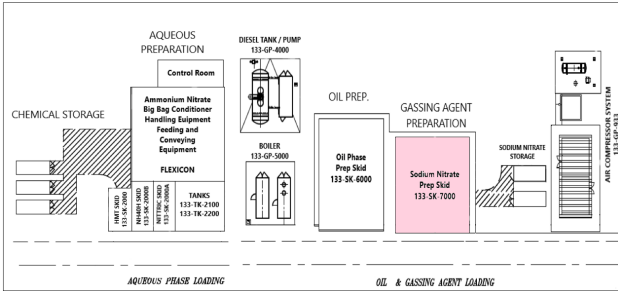
GASSING AGENT PREPARATION

Manufactured by BOCCARD

Function

Sodium Nitrate Preparation Skid

Dissolution of the sodium nitrate and loading into the truck. (Skid tag number 133-SK-7000)

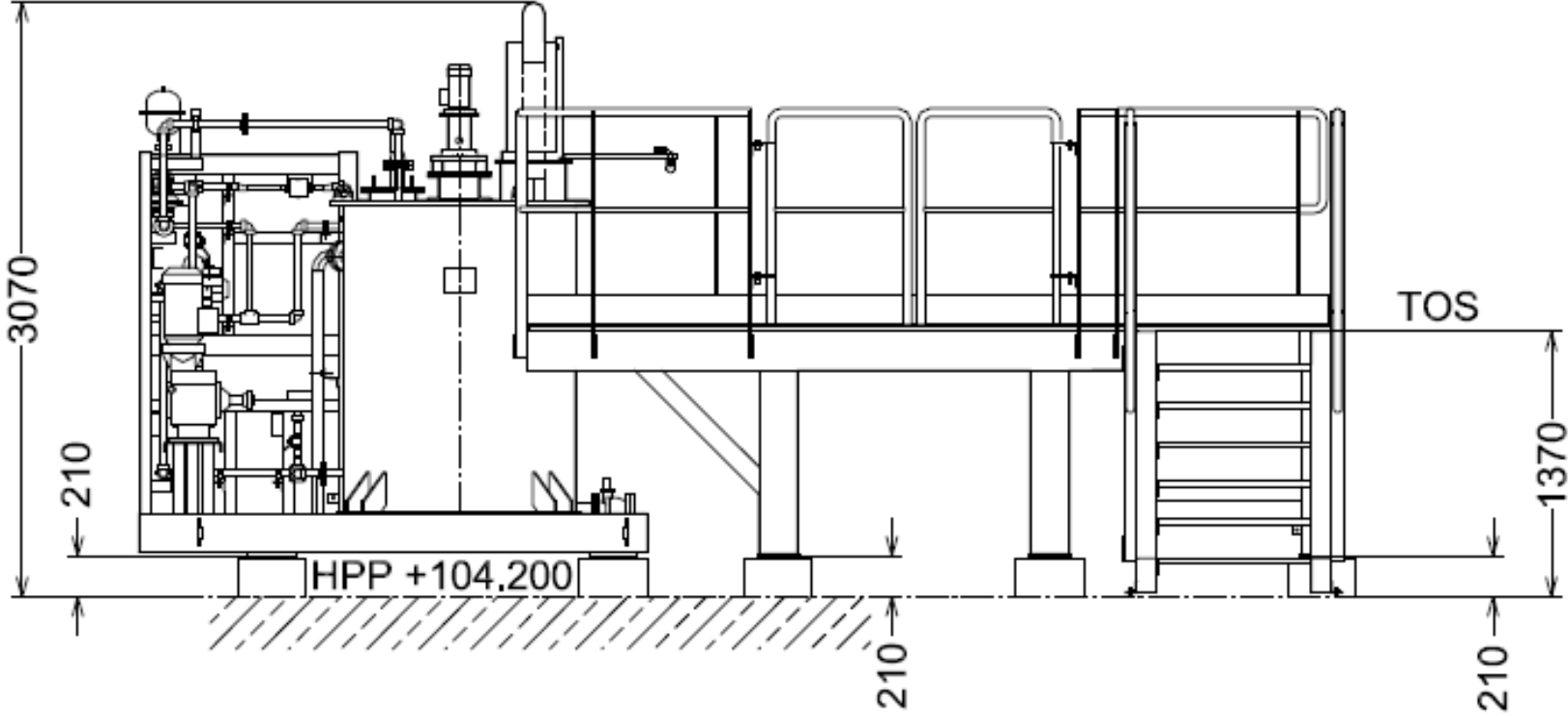


NOTE: The drawings above are screenshots from original owner's drawings.

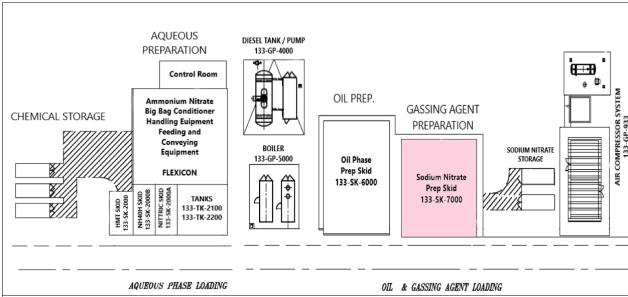
GASSING AGENT PREPARATION

Manufactured by BOCCARD

133-AG-7120
 133-TK-7100
 133-ZM-7130



NOTE: The drawing above is a screenshot from original owner’s drawings.

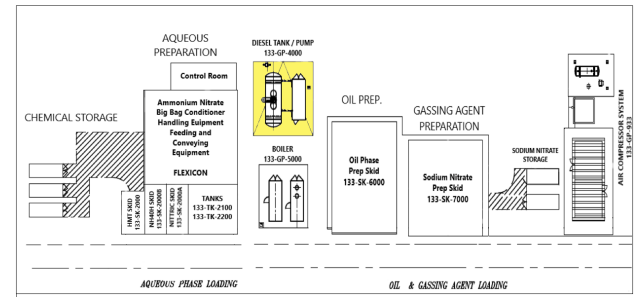


Major Components

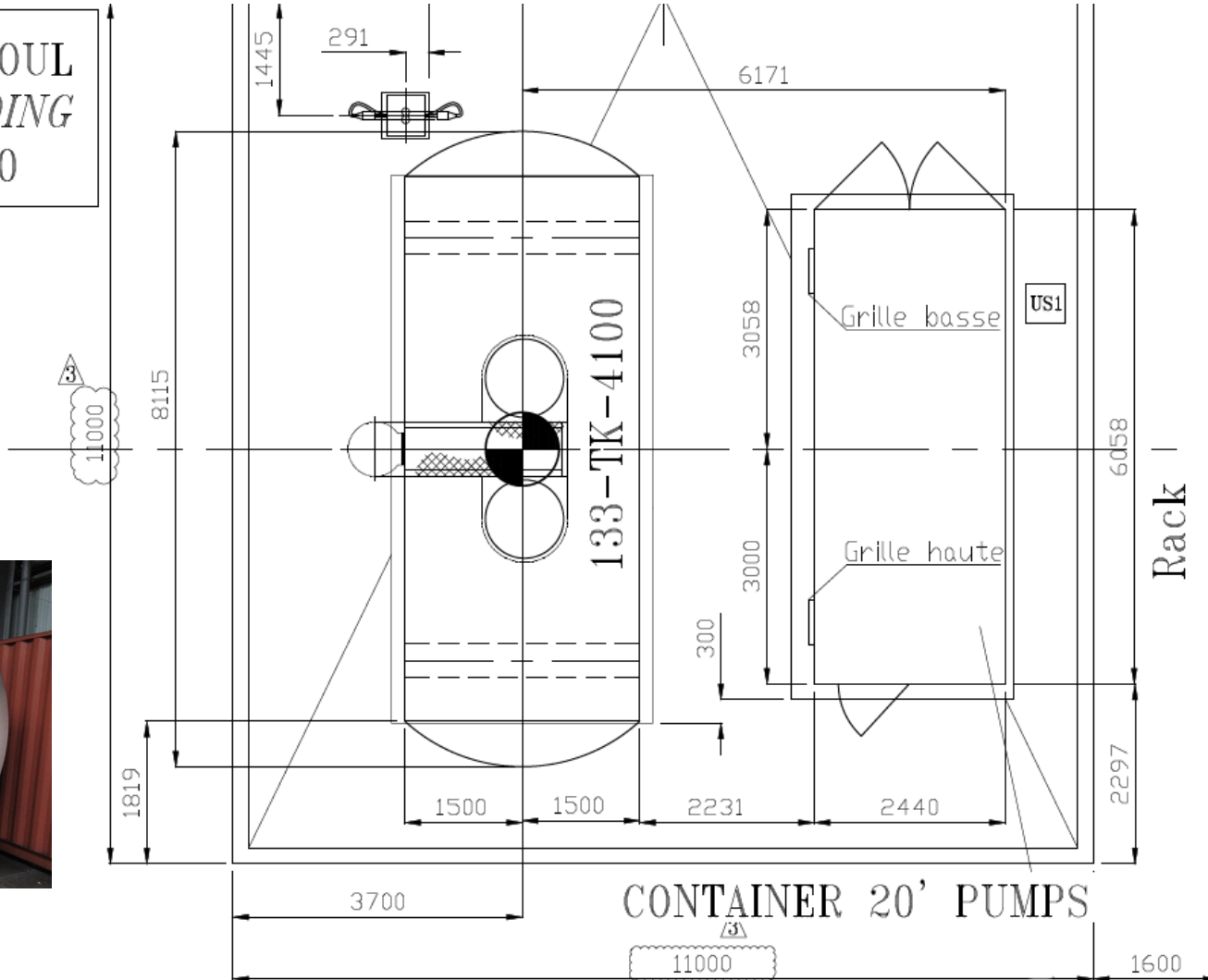
- 25 kg bag emptying device 133-ZM-7130
- 1 m3 Prep Tank 133-TK-7100
- Pump 133-PU-7110
- Agitator 133-AG-7120
- Piping, nozzles, hoses, etc

DIESEL STORAGE & DISTRIBUTION (SUPPORT EQUIP.)

Manufactured by LAFON



DEPOTAGE FIOUL
FUEL UNLOADING
133-GP-4000



Function

Diesel Storage and Distribution System

- Feeds diesel to the “Oil Phase” of the emulsion plant.
- Feeds diesel to the boiler system.
- Supplies diesel operating vehicles.

Major Components

- Storage Tank - 50 m3, double wall
- 1 Receiving Pump
- 2 Distribution Pumps
- Piping, Fittings and Filters
- Electrical Cabinet
- Numerous Ancillary components

NOTE: The line drawing above is a screenshot from original owner’s drawings.
The picture is of the actual tank & container of components.

BOILER SYSTEM (SUPPORT EQUIP.)

Manufactured by CLAYTON

Function

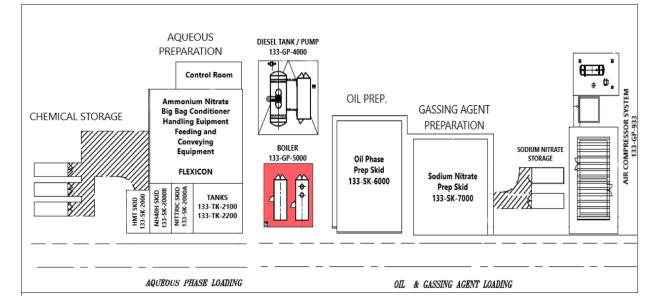
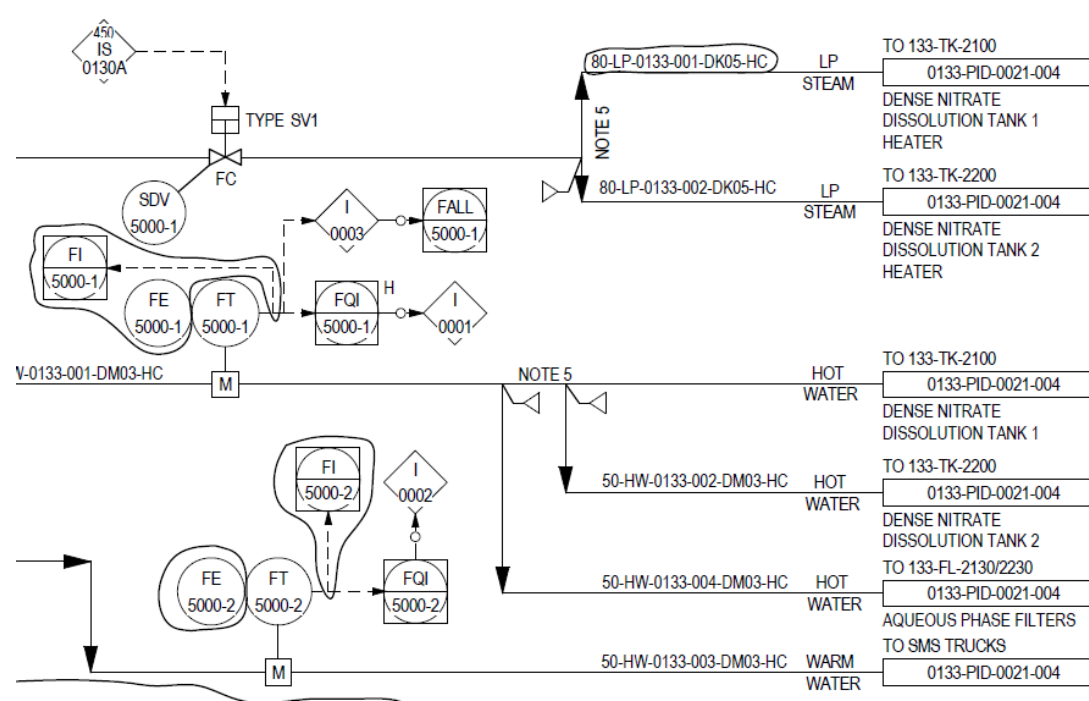
Containerized Boiler System

Designed to safely provide continuous feeds of hot / warm water and steam to the following systems as needed:

- LP Steam to the dense nitrate dissolution tanks
- Hot water to the dense nitrate dissolution tanks
- Hot water to aqueous phase filters
- Warm water to the MMU Titanobel Trucks

The system is also designed to receive condensation back from the dense nitrate dissolution tanks

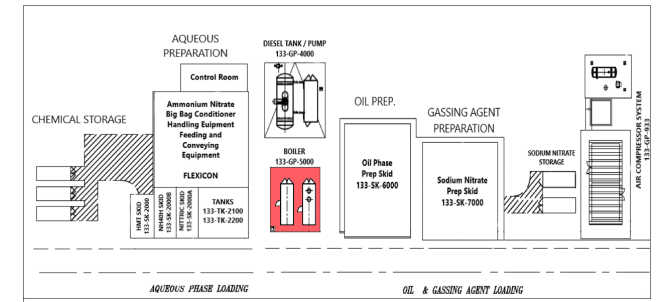
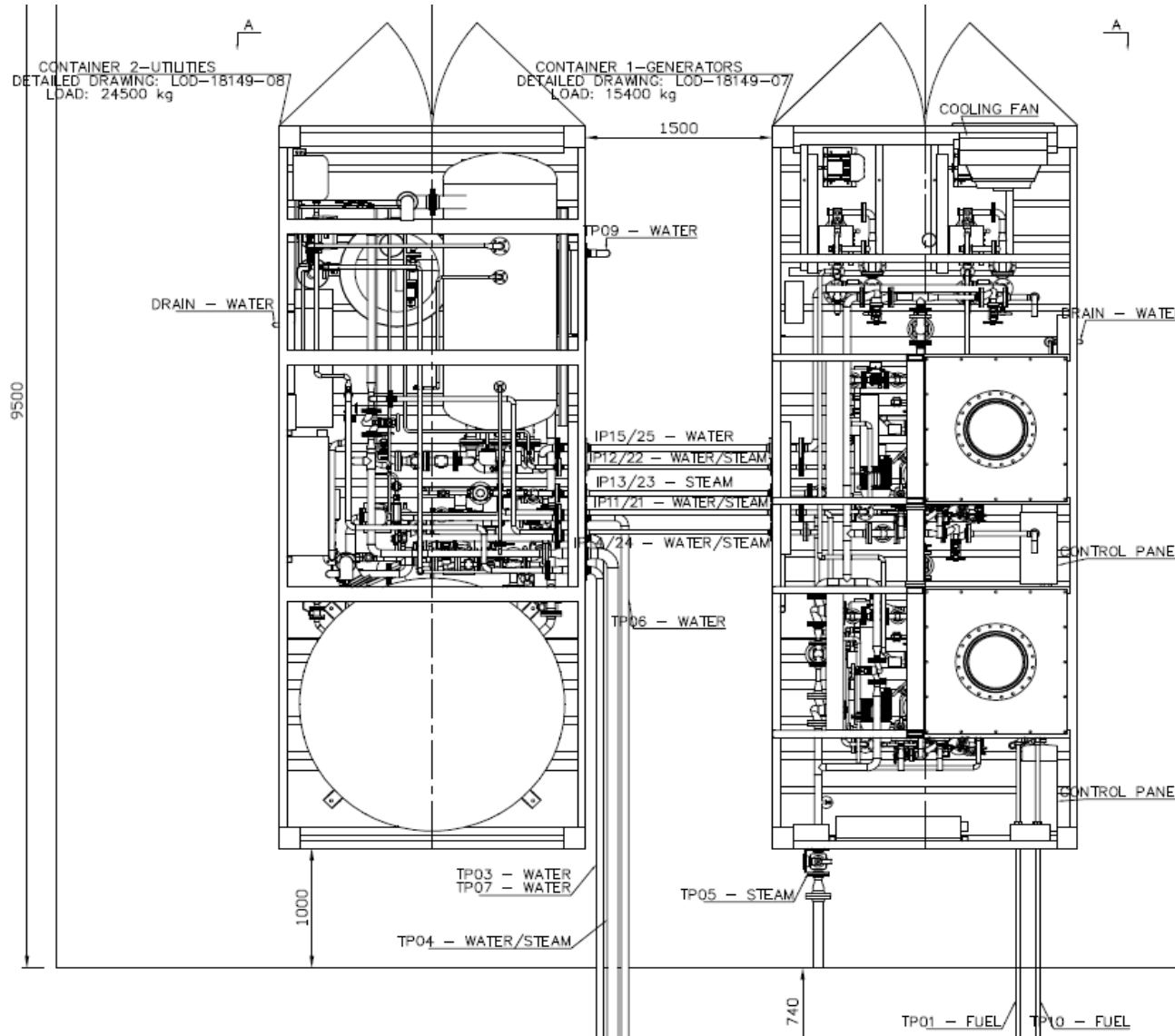
NOTE: Pictures are from of the actual boiler system. The drawing above is from the original owner's drawings.



BOILER SYSTEM (SUPPORT EQUIP.)

Manufactured by CLAYTON

NOTE: The drawing (below) is from the original owner's drawings.



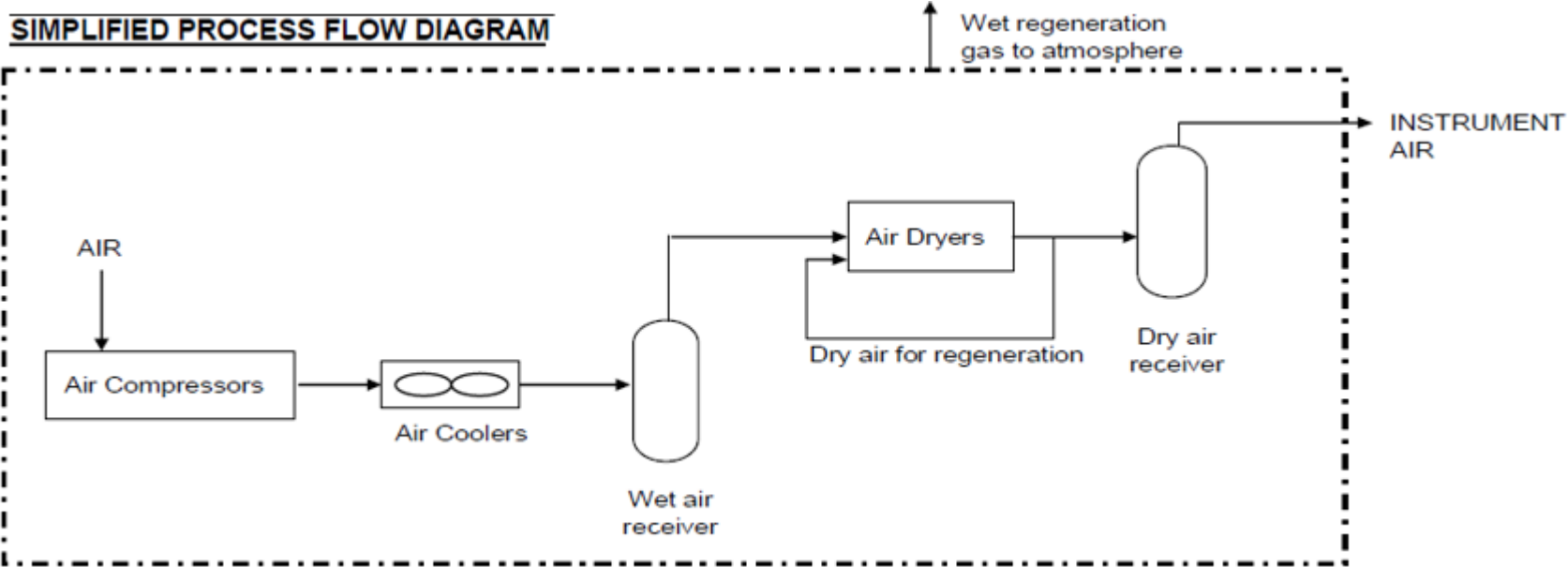
Major Components

- 2 Steam Boilers (SFO-75-1)
- Heat exchanger (Tube and Shell)
- Hot water tank, static mixer and various hot water pumps
- Feed water tank and various feed water pumps
- Chemical dosing pump
- Blow-down tank
- Chemicals tank
- Water soften, sample cooler and hardness control equipment
- Various oil pumps
- (2) Dry steam separators
- (2) Blower generators
- And more

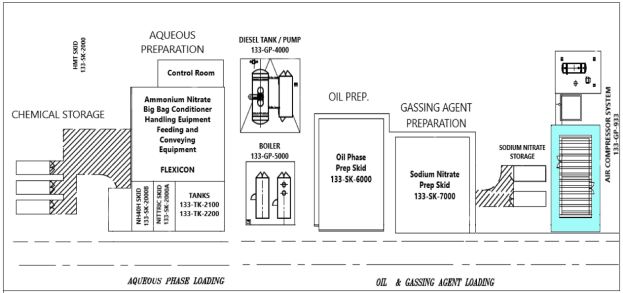
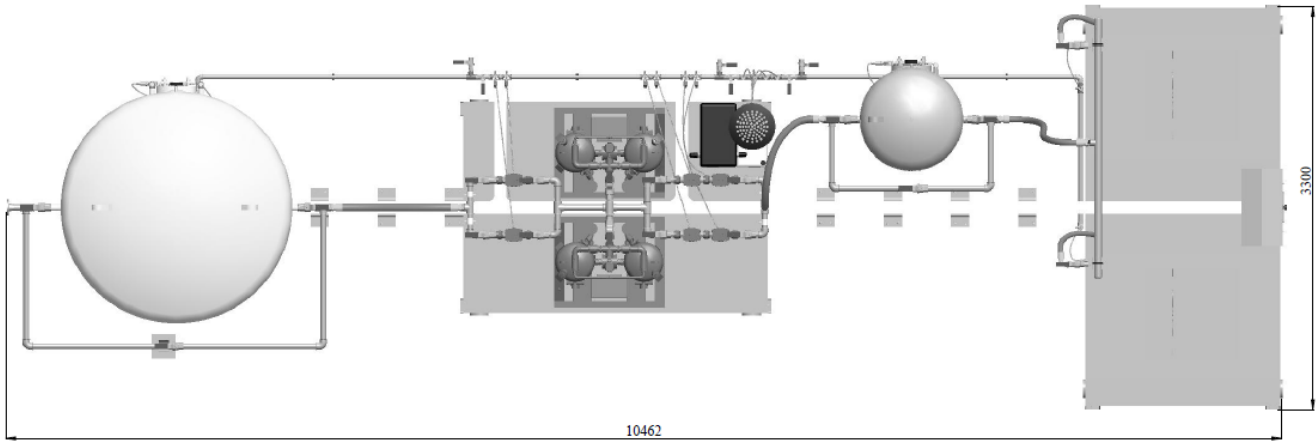
AIR COMPRESSOR & DRYING SYSTEM (SUPPORT EQUIP.)

Manufactured by DALGAKIRAN

SIMPLIFIED PROCESS FLOW DIAGRAM



413-GP-1000



Function

Air Compressor Skid:

To provide a continuous, clean and dry source of compressed air. Equipment is sized and designed to support the equipment in this emulsion plant.

Comes with redundancies and fail-safes to ensure continuous and safe operations.

NOTE: The screenshots are from original owner's drawings.

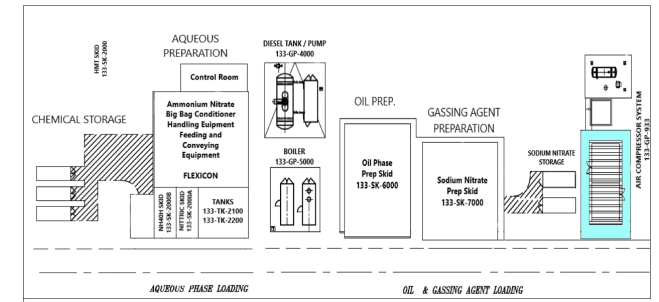
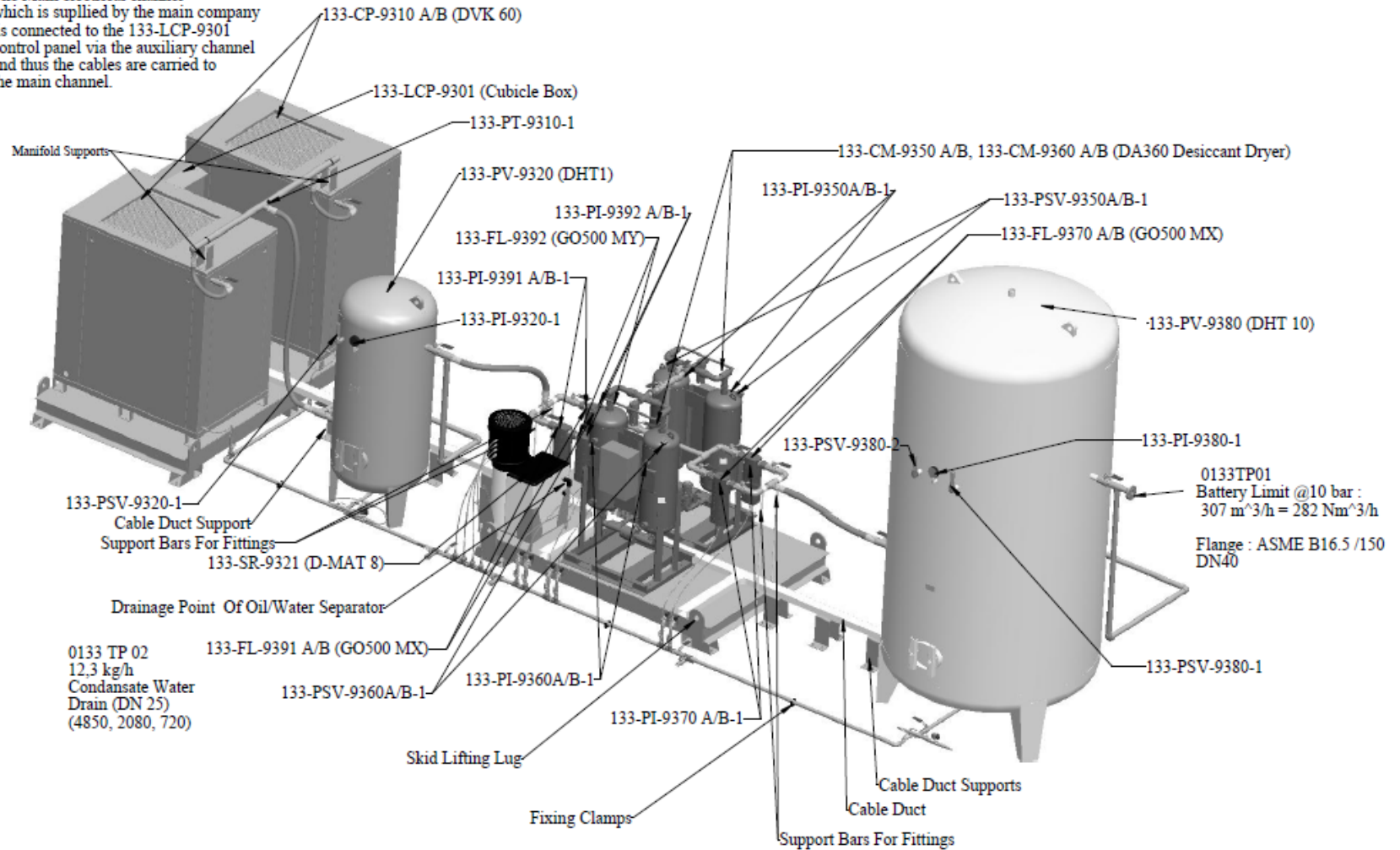
AIR COMPRESSOR & DRYING SYSTEM (SUPPORT EQUIP.)

Manufactured by DALGAKIRAN

Major Components

- (2) Oil injected rotary screw air compressors (1 running, 1 in stand-by) integrated with air filter, cooling fan, heat exchanger, water separator. Air flow rate 384 m³/h @ 10 bar(g)
- Oil / Water Separator 8 m³/min
- Wet Air Receiver – 1m³ Capacity @ Design Pressure / Test Pressure: 11 bar / 16.5 bar Actual thickness : 6 mm.
- Multiple High efficiency air line filters - 530 m³/h @8bar(g) 1-micron particle removal and 0.5 mg/m³ oil carryover @21°C
- (2) Heatless Desiccant Air-Drying Unit (2 drying columns, 1 adsorption, 1 regeneration) (388.8 m³/h @8bar(g)
- Dry air receiver - 10 m³ Capacity. Design Pressure / Test Pressure : 11 bar / 16.5 bar Actual thickness : 10 mm.

The Main electrical channel which is supplied by the main company is connected to the 133-LCP-9301 control panel via the auxiliary channel and thus the cables are carried to the main channel.

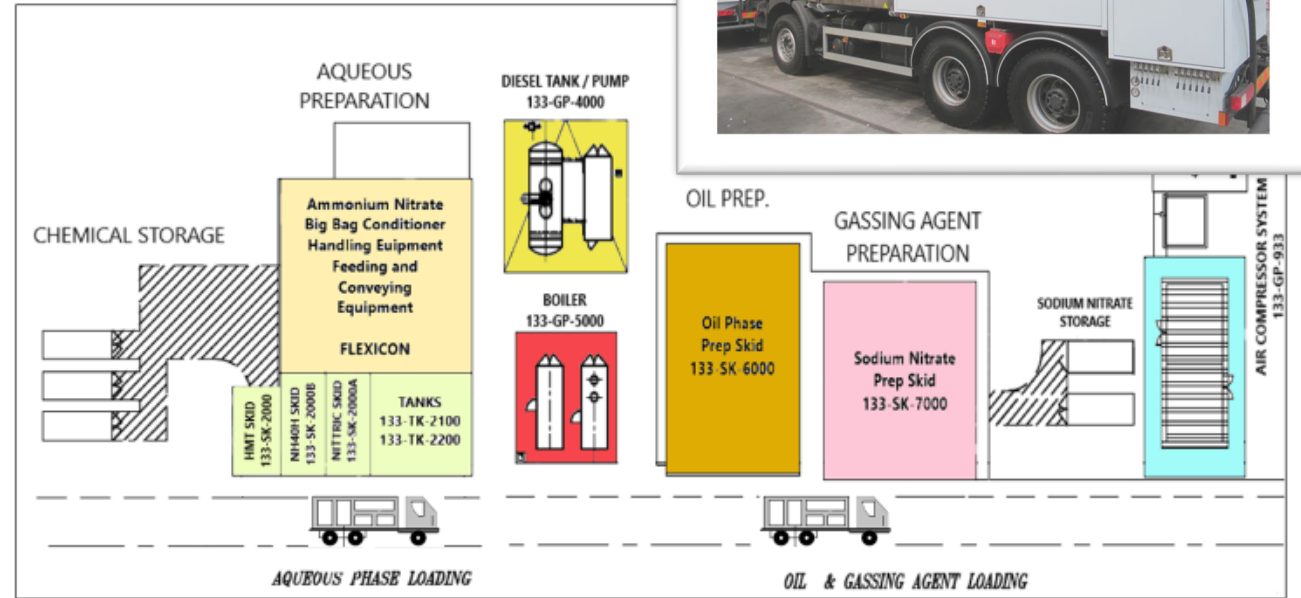


NOTE: The illustration above is from the original owner's drawings.

NEVER USED EMULSION PLANT WITH MMUs

SUMMARY

- Available for immediate shipment
- Never used. Ready to install for fast production.
- All equipment has been stored indoors and has been maintained and stored according to each manufacturer's specifications.
- This total emulsion plant can be used to manufacture various emulsion recipes.
- MMU Titanobel trucks can be used in multiple emulsion applications
- Manufacturing equipment could be removed from Renault chassis and skid mounted for over **200 tons per day** of production



Tel: +1 530-534-7965

www.amking.com

A composite image showing an industrial worker in a blue uniform and white hard hat on the left, and a large conveyor belt system with a curved section on the right, set against a background of industrial buildings and cooling towers under a blue sky with light clouds.

**NEED OTHER EQUIPMENT?
CONTACT US TODAY**

AM KING INDUSTRIES INC.

Email:
admin@amking.com

Phone:
+1 530 534 6013

Website:
www.amking.com